

# **Digital Music Player**

**For All Years of the  
Honda® GL-1800**

**Part #JMDM-GL18B**

**Installation  
& Operating  
Instructions**

## Features:

- Direct connection with digital quality sound.
- Control the JMDM-GL18B digital music changer from the handlebar controls.
- Supports USB thumb-drive or SD card up to 8gb.
- Built in high quality MP3/WMA decoder.

## Included Parts:

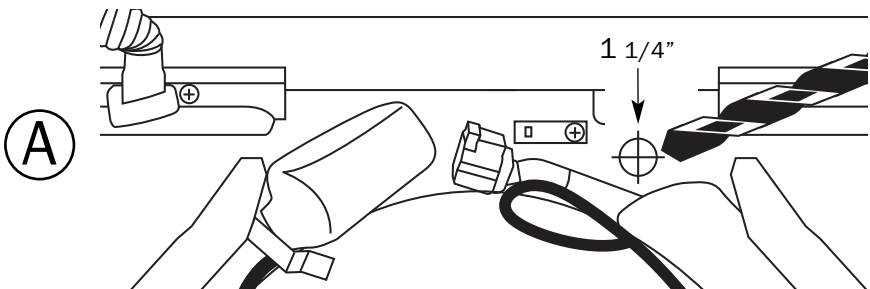
- Digital music player
- SD card (pre-loaded with sample/test MP3 files)
- GL-1800 connection harness
- USB extension cable
- SD card reader/writer
- Velcro strips for mounting

**Note:** The DIP switches on the JMDM-GL18B are set at the factory to the ON position and all four switches must be left ON in order for the digital music player to function correctly. The Aux input does not function with the Goldwing audio system.

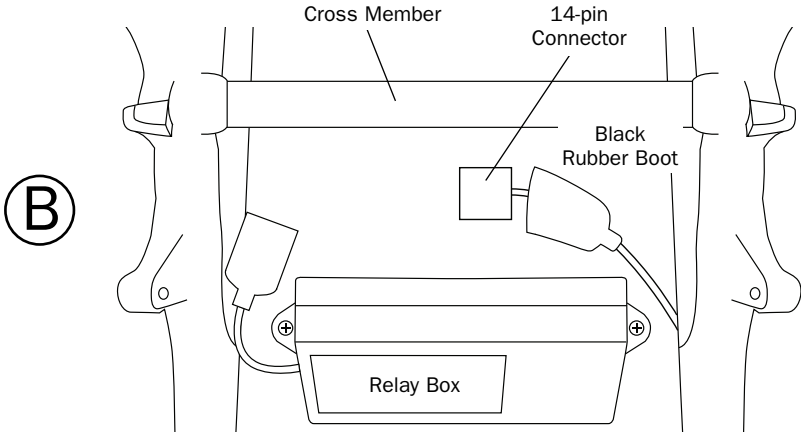
---

## Installation

1. Remove seat.
2. Locate the mark on the lower left edge of the tour pack and drill a 1 1/4" hole. **Diagram A**



3. Route the included cable through the hole and install the supplied rubber grommet on the cable and into the 1 1/4" hole.



4. Locate the white 14 pin plug located in the black rubber boot next to the cross-member and relay box under the seat. **Diagram B**

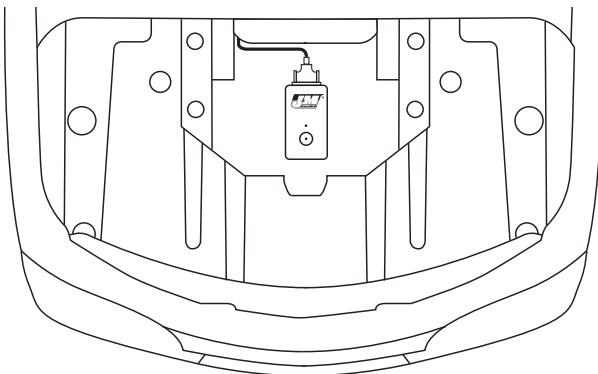
5. Plug the white 14 pin connector from the JMDM-GL18B harness into the corresponding plug on the bike. **NOTE:** The cable must be routed under the cross member to prevent damage to the cable.

6. Plug the 15 pin plug on the harness in to the JMDM-GL18B.

7. Test the JMDM-GL18B by inserting the supplied SD card. Turn the ignition switch to either the on or ACC position and select CD on the stereo.

Using the “Tune/Disc” up down toggle control on the handlebar, select between individual tracks with each single toggle, or hold up/down for 3 seconds to change to another folder/CD #.

**Important Note:** When installing this unit on 2009-2010 GL-1800s, if you wish to use the XM satellite radio feature of your audio system, in conjunction with the J&M digital music changer, you will need to purchase at an additional cost J&M part# JMDM-ADT-GL18.



## General Tips for Use

---

For the 2001-2005 GL-1800, it usually works best to limit the # of folders to 5, plus the root, with no more than 45 files/tracks per folder, using a 4Gb (max) SD card.

2006-2010 GL-1800s will support up to 8 folders, plus the root and up to 99 files/tracks per folder, using an SD card up to 8Gb in size.

The included card reader/writer is not a thumb drive and is used only to load music into your SD card.

The suggested file format for music is MP3, while WMA can be used if the files/tracks are not protected.

If you are using I-Tunes, the music files will need to be converted to MP3 before they are loaded into the SD card or thumb drive.

When both an SD card and Flash Drive are inserted into the JMDM-GL18B, the SD card will be recognized first.

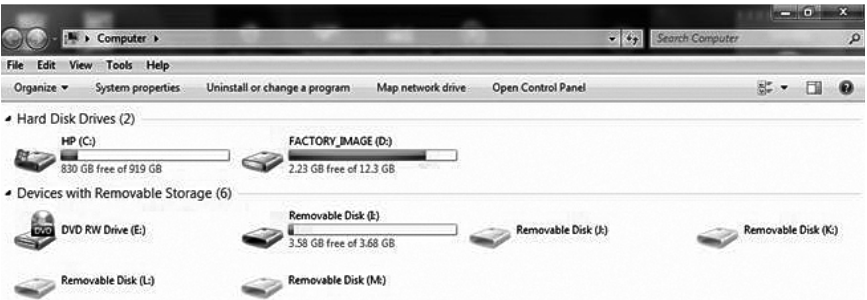
## How to add MP3 or WMA files/folders to an SD Card or USB Thumb-Drive.

---

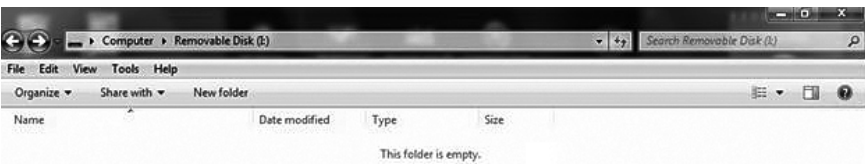
1. Connect your SD card to the computer by inserting the SD card into the supplied SD card reader/writer or simply plug your USB Thumb Drive into the computer.
2. Click on **Start** and then **My Computer**.



3. Now find the SD card or USB thumb-drive (designated as Disk (I): in this example)



4. Click on the **Removable Disk (I):** and you should now have an open folder, this is also known as the Root Folder.



5. At this point Music can be added to the SD Card or USB Thumb-Drive. You will need to locate your MP3 or WMA files on your computer.

6. To transfer music files from your computer to the SD Card or USB Thumb-Drive, drag and drop at least one track into this main root folder. This main root folder must contain at least one MP3 file/track or the JMDM-GL18B will not play. This main root folder will be displayed as CD 1.7. For a more complex method of arranging and playing your music, move your music to the SD Card or USB Thumb-Drive into specific folders. This main folder is called the Root folder and **MUST CONTAIN AT LEAST ONE MP3 FILE OR THE JMDM-GL18 WLL NOT PLAY ANY MUSIC.** NOTE: This main folder will be displayed as CD 1.



Additional folders can now be added to the root folder by clicking on **(Top-Left) File**, then **New**, then **Folder**.

For the 2001-2005 GL-1800, it usually works best to limit the # of folders to 5, plus the root, with no more than 45 files/tracks per folder, using a 4Gb (max) SD card.

2006-2010 GL-1800s will support up to 8 folders, plus the root and up to 99 files/tracks per folder, using an SD card up to 8Gb in size.

These folders can be named as you choose but these names will not display on the Honda Radio, only the CD Disk number will be displayed. The MP3 files and folders will play in the actual order you have added them to the SD Card or USB thumb-drive, not by the track number itself.

Here is an example of five folders with three MP3 files/tracks in the main root folder, as per the included SD card.



7. When you are finished loading the SD card or USB thumb-drive, unplug it from the computer, insert into the JMDM-GL18B and select CD on the Honda audio system control panel.

The music will begin to play and is displayed as CD1. To change to the next folder press and hold the "Tune/Disc" up toggle for three seconds and CD2 will begin to play. If you do not press and hold the "Tune/Disc" up/down toggle for the three seconds, the next track will play in CD1 instead of the CD2 folder.

---

Thank you for the confidence you have shown by purchasing one of J&M's innovative products. If you have any questions during installation, or require further assistance, you may call us at 1-800-358-0881 from 8:00 a.m. to 5:00 p.m. Mountain Standard Time, Monday through Friday.



Tucson, Arizona, U.S.A.

Tel: (800) 358-0881

Website: <http://www.jmcorp.com>

E-mail: [audio@jmcorp.com](mailto:audio@jmcorp.com)